

DFMT/FMT

FLOOR MOUNTED TUBE STAND with Digital or Analog Display

This tube stand only requires a floor mounted rail for support and can be installed in rooms with ceiling heights as low as 87" (221cm). It is an ideal choice for a complete range of radiographic procedures and eliminates the need for costly room modifications.

Product Features

- Extensive longitudinal and transverse travel
- Focal spot positioning at 11" (28 cm) above floor for weight bearing exams
- Tube mount rotation of +/-180°
- Column rotation of +/-180° (where installation permits)

DEL MEDICAL

DFMT/FMT

Radiographic Systems

LOW PROFILE for easy installation

A Del Medical Floor Mounted Tube Stand System is a budget friendly alternative to an overhead system. This low profile system is the ideal choice for a complete range of routine radiographic procedures. The extensive longitudinal and transverse travel assures complete radiographic coverage. Available with analog or digital display, a variety of x-ray tubes and manual, semi-automatic or fully-automatic collimators.

*DFMTS with EV650
Elevating Table,
VS200 Wallstand
and Anthem Generator*



Upgrade to digital with a
DelWorks Medical DR Upgrade Package



DEPENDABILITY and increased efficiency

Del Medical's EV650 Elevating, Four-Way Float Top table is equipped with a 17" x 17" reciprocating bucky and heavy-duty manual tray providing a sturdy foundation for your busy department. In addition to its smooth, quick and accurate patient positioning, these additional features contribute to patient and technologist safety and comfort.

- Vertical rack and pinion motor drive for smooth and quiet operation
- 650 lb. (295 kg) patient weight capacity
- High strength contoured table with integral collision sensors
- Hands free table elevation with angled and recessed foot treadles



DFMTS

control panel with
digital display

Longitudinal, transverse, roll and vertical lock release switches, vertical and longitudinal centering locator, column rotation switch, plus all locks and one hand multi-lock release switches.



FMTS

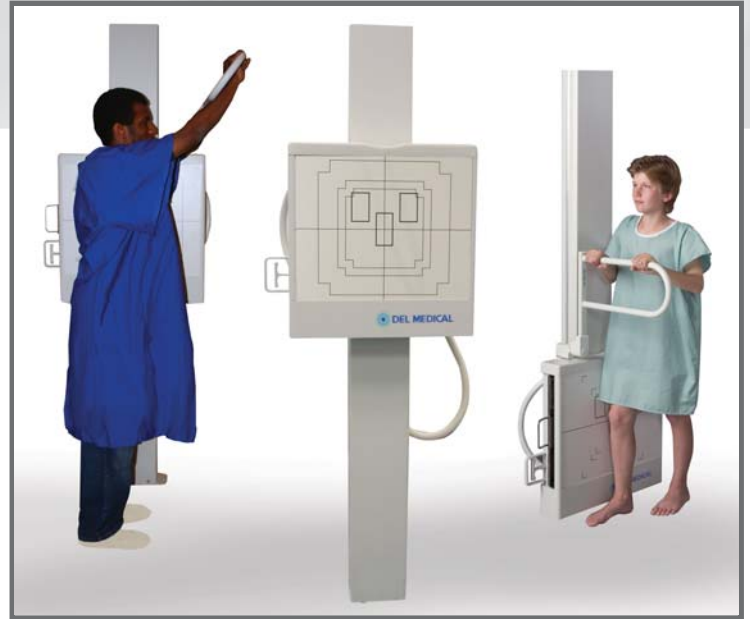
control panel with
analog display

Longitudinal, roll and vertical
lock release switches.



INCREASE FLEXIBILITY for all clinical applications

Increase the versatility of your Floor Mounted Tube Stand system even further by adding the Del Medical VS200 Vertical Wall Stand to accommodate a wide range of upright exams from skull to ankle. This counter-balanced wall stand allows for smooth, vibration-free vertical movement with long-lasting quality and durability. The slim design with concealed cabling contributes to the professional appearance. Available with 17" x 17" (43 cm x 43 cm) grid cabinet or bucky, manual or automatic size sensing tray. Options include overhead patient handgrip and floor mount kit.



POWERED for your needs

Del Medical's ANTHEM, IN, and CM Series of high frequency generators feature a vast range of available configurations with ranges of 400 mA to 1,000 mA output and kVp of 125 or 150. The ANTHEM generator simplifies operation with exclusive features such as 10-15 minute calibration, integrated power supply and the ability to update APR by SD card or PC. These features and more contribute to the user-friendly design of a complete Del Medical system. Total customization is possible with available options like AEC interface, digitally upgradeable generators, touch screen and mini console.



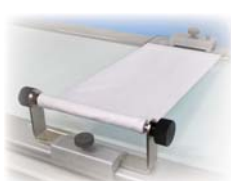
Pedestal and hand switch are standard features on all Del Medical generators!



Our CM Series generator options include touch screen display and mini console .

CUSTOMIZE YOUR SYSTEM with options and accessories

Configure for your needs. Other system components include the Del Medical RT100 Four-Way Float Top Table with a 500 lb. patient load capacity as well as the 3546E, our 85" counterbalanced wall stand with electric locks. A variety of optional accessories are also available. Table options include hand switch (EV650 only), compression band, lateral cassette holder and shoulder/head restraint.



RT100 Four-Way Float Top Table

DFMT/FMT Series

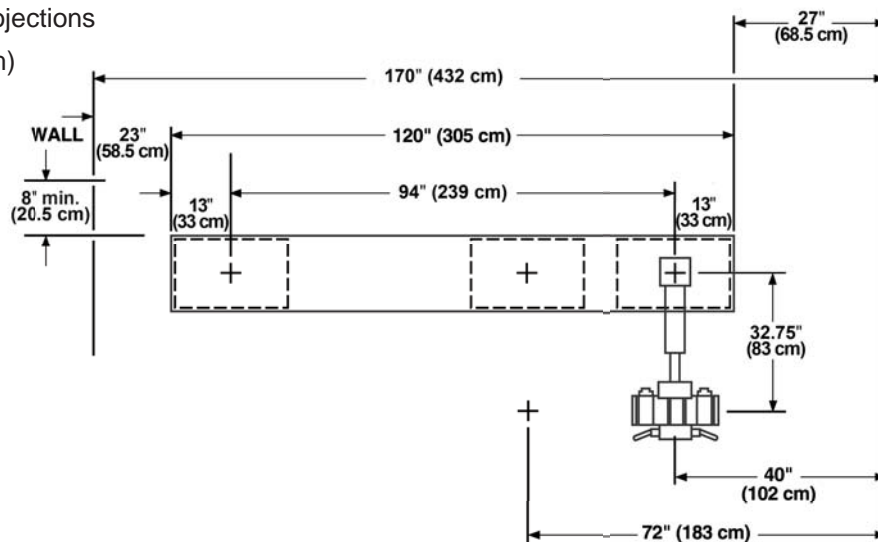
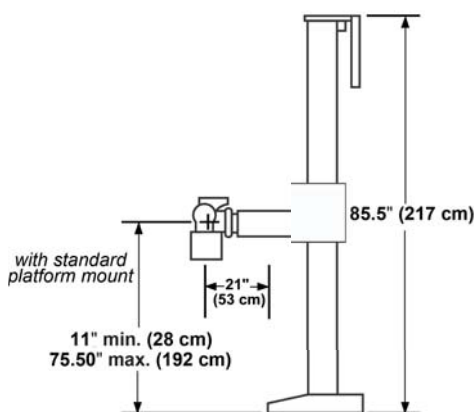
Floor Mounted Tube Stand

Technical Specifications:

Ceiling height:	Minimum 87 in. (221 cm)
Column height:	85.50 in. (217 cm)
Vertical travel:	64.5 in. (164 cm) total
Floor to focal spot: (with standard platform mount)	Minimum 11 in. (28 cm), Maximum 75.50 in. (192 cm)
Longitudinal travel:	94 in. (239 cm)
Rail longitudinal length:	120 in. (305 cm)
Transverse travel:	11 in. (28 cm)
Tube, collimator and cable support capacity:	88 lbs. (40 kg)
Tube standard weight:	460 lbs. (209 kg)
Platform assembly weight:	125 lbs. (57 kg) net
Column rotation:	180° where installation permits
Tube rotation:	±180° detents for lateral decubitus projections
Base assembly to rear wall:	8 in. (20.5 cm)
ETL Listed	

Product Options:

- 140kHU, 200kHU, 300kHU or 400kHU X-ray tubes
- Manual, semi-automatic or fully automatic collimators
- Trunnion mount
- Digital (DFMT) or analog (FMT) display



DEL MEDICAL

Toll Free: (800) 800-6006
 Fax: (847) 288-7011
 Email: info@delmedical.com
www.delmedical.com
 241 Covington Drive, Bloomingdale, IL 60108

*Del Medical is a UMG Company.
 Del Medical is an ISO 13485 & ISO9001 Certified Facility.
 Specifications are subject to change without notice.*

UMG

Toll Free: (800) 261-9808
 Fax: (914) 835-6111
 Email: info@umgxray.com
www.umgxray.com
 28 Calvert Street, Harrison, NY 10528